

Hack8 Clevis Self Locking Hook

The Hack8 clevis self locking hook incorporates a special latch mechanism that locks itself automatically when it comes under load. Manual interaction of the latch trigger then allows disengagement of the locking mechanism once the load is relieved. This hook is capable of attachment directly onto chain thanks to its clevis attachment type. Manufactured from alloy steel, the Hack8 clevis self locking hook delivers an excellent balance between toughness and ductility.

The Hack8 clevis self locking hook has been independently verified and awarded the DGUV Test H-Mark for lifting components, issued under number H83.

Standards: designed and manufactured in accordance with EN1677-1 and suitable for use in chain slings certified to EN818-4.

Third-party accreditation: DGUV Test H-Mark certified under number H83.

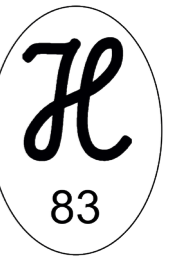
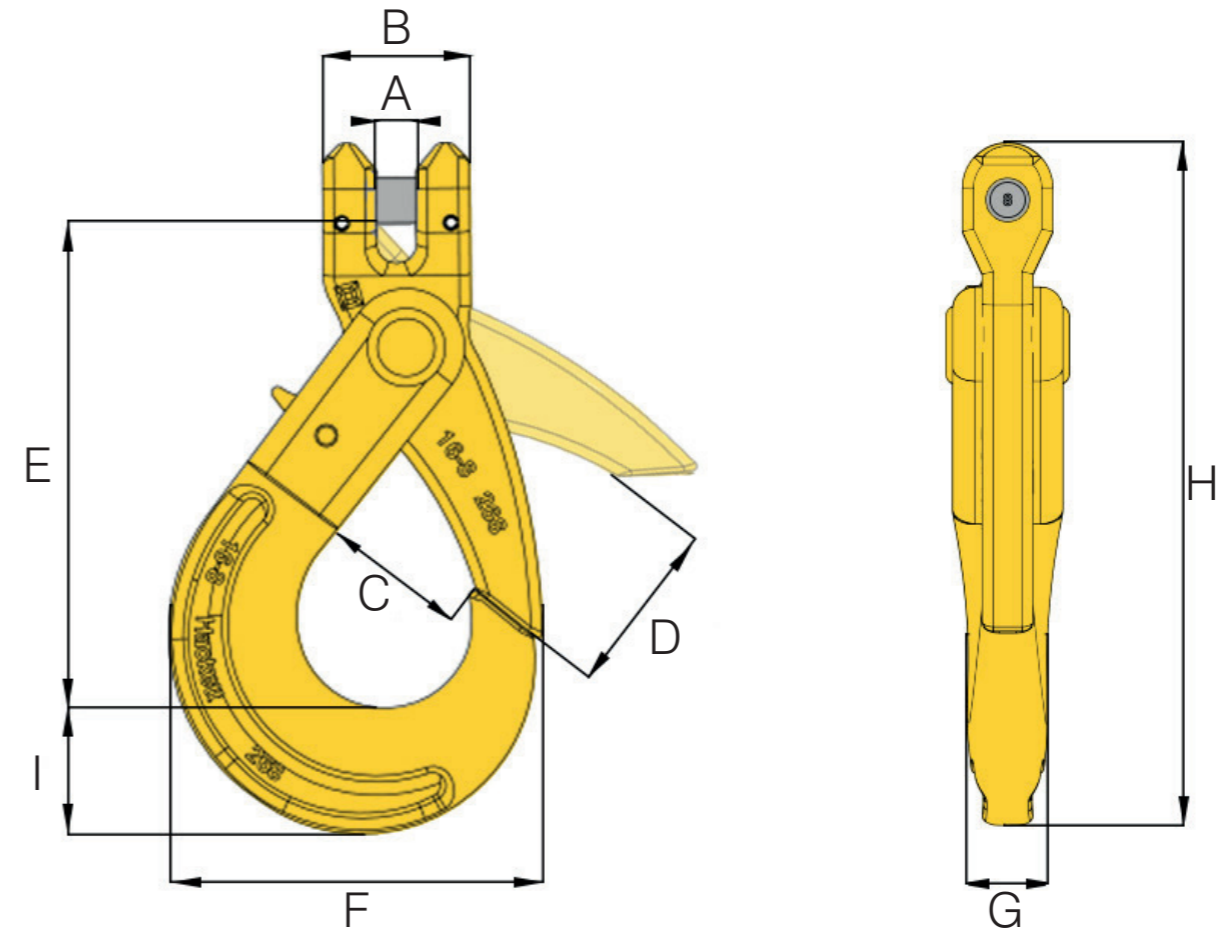
Product sizes: available for chain sizes from 7/8mm to 26mm and with working load limits from 2.0 tonnes to 21.2 tonnes.

Temperature: operational temperature range of - 40°C to + 200°C without reduction in working load limit.

Material: alloy steel.

Testing: crack detection following heat treatment, and proof load tested to 2.5 times working load limit.

Safety factor: 4 : 1.



Metric Specifications

PART CODE	CHAIN SIZE mm	A mm	B mm	C mm	D mm	E mm	F mm	G mm	H mm	I mm	BOX QTY.	WLL tonnes	MASS kg
8-H05-08	7/8	9.5	33.0	35.8	39.0	119.3	91.0	20.0	161.8	26.0	30	2.00	0.80
8-H05-10	10	12.5	46.0	45.0	48.0	142.0	108.0	26.0	195.0	30.0	20	3.15	1.38
8-H05-13	13	15.0	59.0	52.5	60.0	179.0	142.0	33.0	245.6	40.0	10	5.30	2.81
8-H05-16	16	18.5	68.0	63.3	68.9	224.8	168.6	38.0	304.0	50.5	6	8.00	6.00
8-H05-20	20	24.0	81.0	86.0	85.0	234.0	185.0	50.0	327.0	55.0	2	12.50	7.25
8-H05-22	22	25.0	97.5	76.0	86.0	270.0	202.0	52.0	386.0	67.0	2	15.00	12.80
8-H05-26	26	30.0	118.0	96.0	109.0	312.0	239.0	60.0	449.0	75.0	2	21.20	21.80

Hack8 Clevis Self Locking Hook

The Hack8 clevis self locking hook incorporates a special latch mechanism that locks itself automatically when it comes under load. Manual interaction of the latch trigger then allows disengagement of the locking mechanism once the load is relieved. This hook is capable of attachment directly onto chain thanks to its clevis attachment type. Manufactured from alloy steel, the Hack8 clevis self locking hook delivers an excellent balance between toughness and ductility.

The Hack8 clevis self locking hook has been independently verified and awarded the DGUV Test H-Mark for lifting components, issued under number H83.

Standards: designed and manufactured in accordance with EN1677-1 and suitable for use in chain slings certified to EN818-4.

Third-party accreditation: DGUV Test H-Mark certified under number H83.

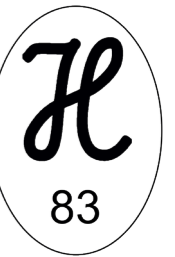
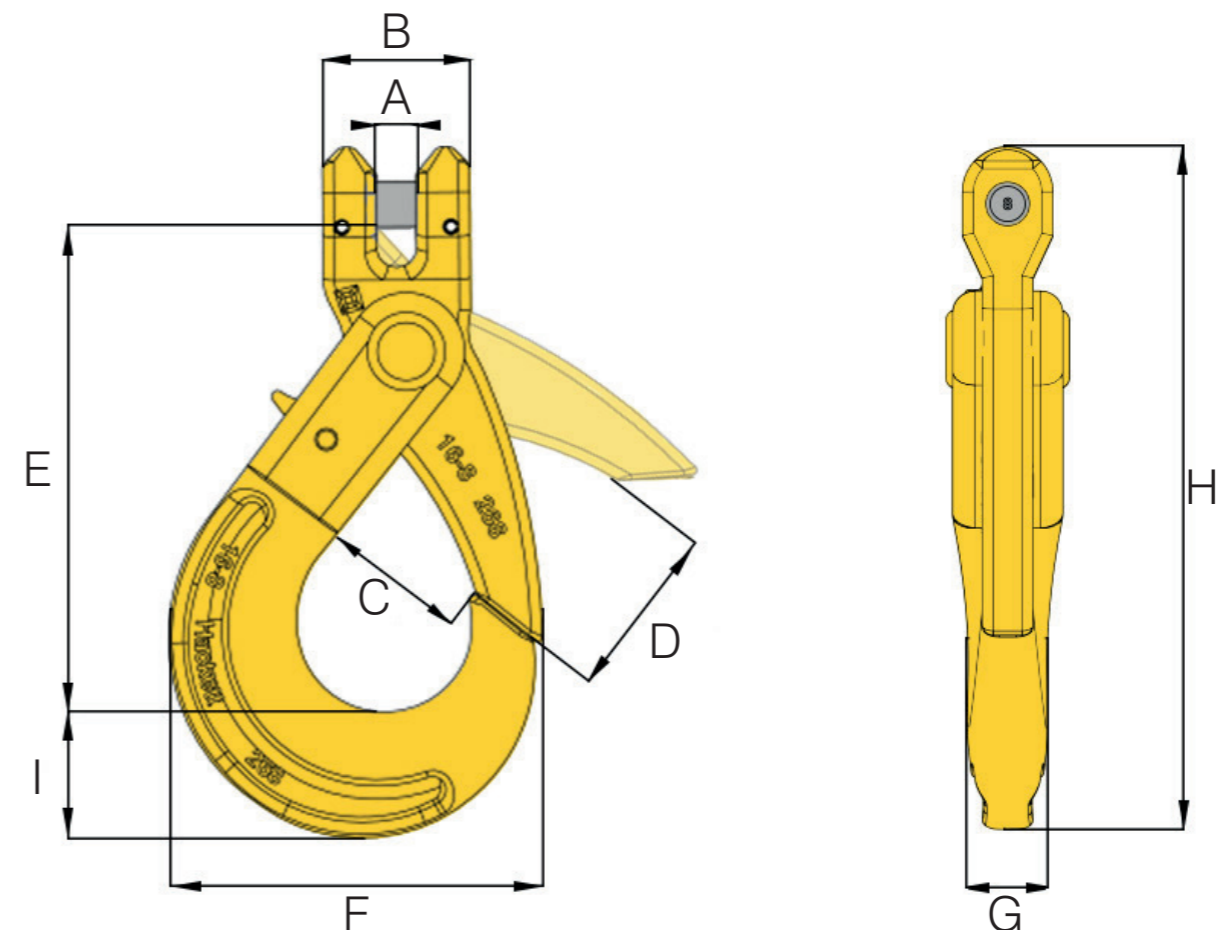
Product sizes: available for chain sizes from 9/32 - 5/16 inch to 1 inch and with working load limits from 4,500 lbs to 47,700 lbs.

Temperature: operational temperature range of -40°F to +392°F (-40°C to + 200°C) without reduction in working load limit.

Material: alloy steel.

Testing: crack detection following heat treatment, and proof load tested to 2.5 times working load limit.

Safety factor: 4 : 1.



Imperial Specifications

PART CODE	CHAIN SIZE inch	A inch	B inch	C inch	D inch	E inch	F inch	G inch	H inch	I inch	BOX QTY.	WLL lbs	MASS lbs
8-H05-08	9/32 - 5/16	0.37	1.30	1.41	1.54	4.70	3.58	0.79	6.37	1.02	30	4500	1.76
8-H05-10	3/8	0.49	1.81	1.77	1.89	5.59	4.25	1.02	7.68	1.18	20	7100	3.04
8-H05-13	1/2	0.59	2.32	2.07	2.36	7.05	5.59	1.30	9.67	1.57	10	12000	6.19
8-H05-16	5/8	0.73	2.68	2.49	2.71	8.85	6.64	1.50	11.97	1.99	6	18100	13.23
8-H05-20	3/4	0.94	3.19	3.39	3.35	9.21	7.28	1.97	12.87	2.17	2	28300	15.98
8-H05-22	7/8	0.98	3.84	2.99	3.39	10.63	7.95	2.05	15.20	2.64	2	34200	28.22
8-H05-26	1	1.18	4.65	3.78	4.29	12.28	9.41	2.36	17.68	2.95	2	47700	48.06



Hack8 Clevis Self Locking Hook

The Hack8 clevis self locking hook incorporates a special latch mechanism that locks itself automatically when it comes under load. Manual interaction of the latch trigger then allows disengagement of the locking mechanism once the load is relieved. This hook is capable of attachment directly onto chain thanks to its clevis attachment type. Manufactured from alloy steel, the Hack8 clevis self locking hook delivers an excellent balance between toughness and ductility.

Standards: designed and manufactured in accordance with EN1677-1 and suitable for use in chain slings certified to EN818-4.

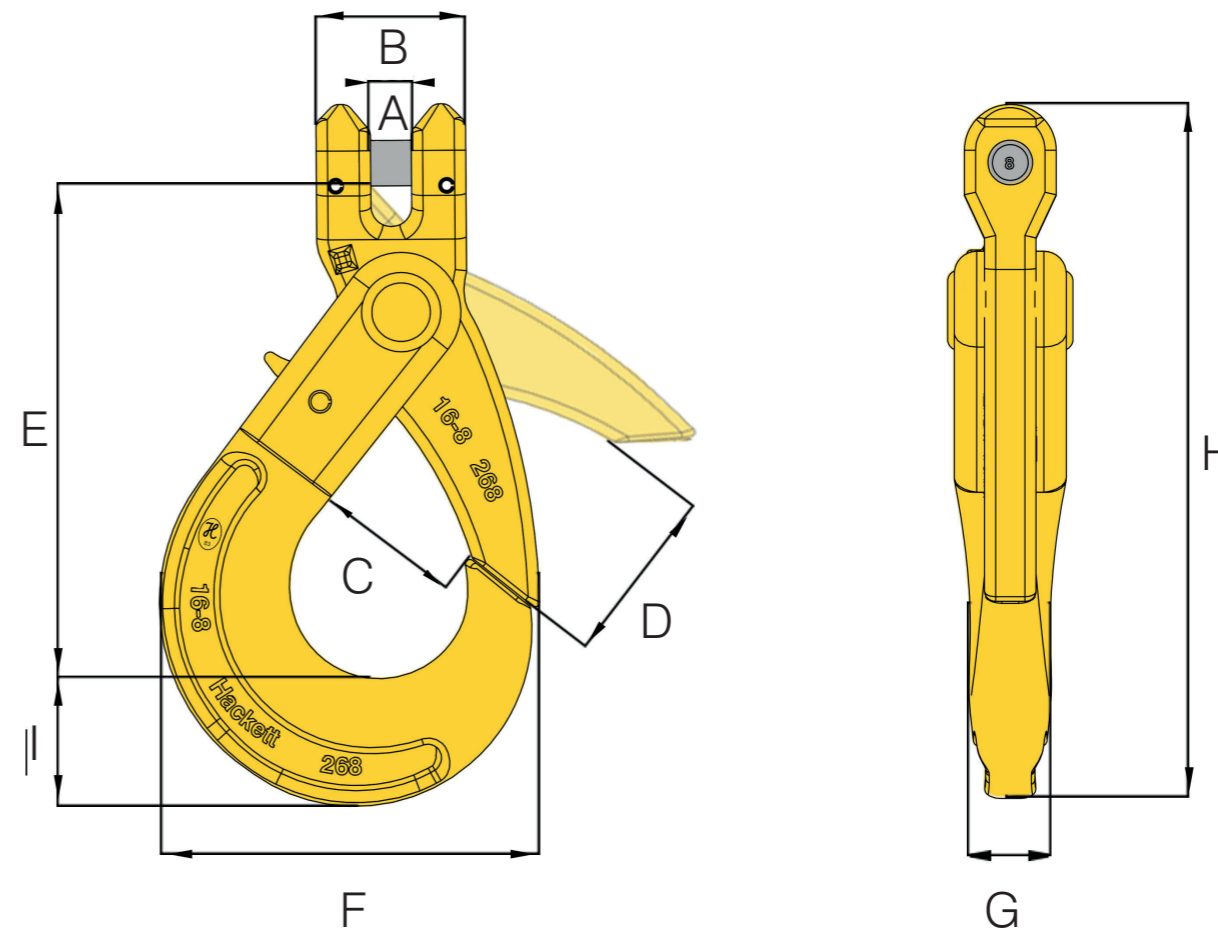
Product sizes: available for chain sizes from 7/8mm to 26mm and with working load limits from 2.0 tonnes to 21.2 tonnes.

Temperature: operational temperature range of - 40°C to + 200°C without reduction in working load limit.

Material: alloy steel.

Testing: crack detection following heat treatment, and proof load tested to 2.5 times working load limit.

Safety factor: 4 : 1.



Specifications

Part Code	Chain Size mm	A mm	B mm	C mm	D mm	E mm	F mm	G mm	H mm	I mm	Box Qty.	WLL tonnes	Mass kg
8-H05-08	7/8	9.5	33.0	35.8	39.0	119.3	91.0	20.0	161.8	26.0	30	2.00	0.80
8-H05-10	10	12.5	46.0	45.0	48.0	142.0	108.0	26.0	195.0	30.0	20	3.15	1.38
8-H05-13	13	15.0	59.0	52.5	60.0	179.0	142.0	33.0	245.6	40.0	10	5.30	2.81
8-H05-16	16	18.5	68.0	63.3	68.9	224.8	168.6	38.0	304.0	50.5	6	8.00	6.00
8-H05-20	20	24.0	81.0	86.0	85.0	234.0	185.0	50.0	327.0	55.0	2	12.50	7.25
8-H05-22	22	25.0	97.5	76.0	86.0	270.0	202.0	52.0	386.0	67.0	2	15.00	12.80
8-H05-26	26	30.0	118.0	96.0	109.0	312.0	239.0	60.0	449.0	75.0	2	21.20	21.80



Hack8 Clevis Self Locking Hook

The Hack8 clevis self locking hook incorporates a special latch mechanism that locks itself automatically when it comes under load. Manual interaction of the latch trigger then allows disengagement of the locking mechanism once the load is relieved. This hook is capable of attachment directly onto chain thanks to its clevis attachment type. Manufactured from alloy steel, the Hack8 clevis self locking hook delivers an excellent balance between toughness and ductility.

Standards: designed and manufactured in accordance with EN1677-1 and suitable for use in chain slings certified to EN818-4.

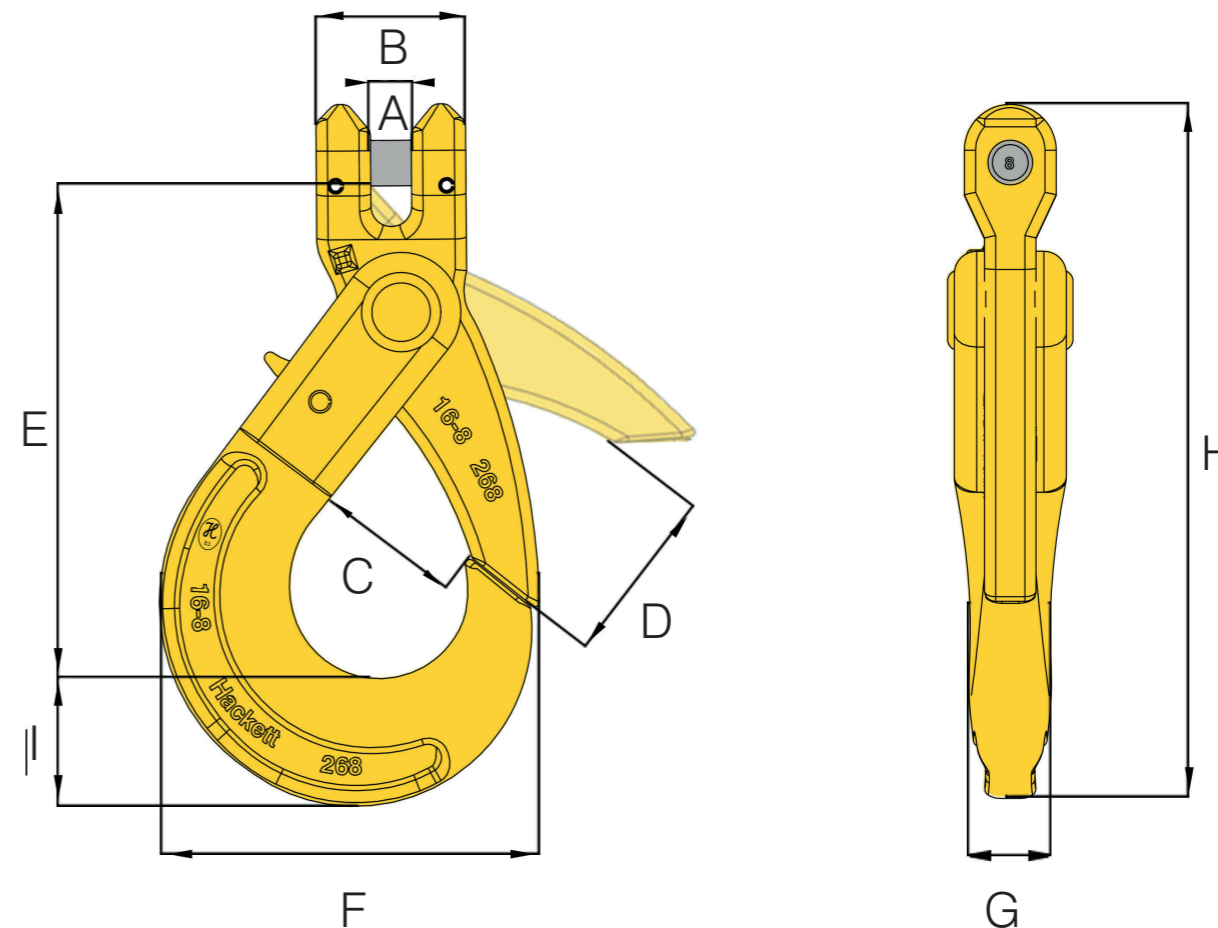
Product sizes: available for chain sizes from 1/4 - 5/16 inch to 1 inch and with working load limits from 4,500 lbs to 47,700 lbs.

Temperature: operational temperature range of -40°F to +392°F (-40°C to + 200°C) without reduction in working load limit.

Material: alloy steel.

Testing: crack detection following heat treatment, and proof load tested to 2.5 times working load limit.

Safety factor: 4 : 1.



Specifications

Part Code	Chain Size inch	A inch	B inch	C inch	D inch	E inch	F inch	G inch	H inch	I inch	Box Qty.	WLL lbs	Mass lbs
8-H05-08	1/4 - 5/16	0.37	1.30	1.41	1.54	4.70	3.58	0.79	6.37	1.02	30	4500	1.76
8-H05-10	3/8	0.49	1.81	1.77	1.89	5.59	4.25	1.02	7.68	1.18	20	7100	3.04
8-H05-13	1/2	0.59	2.32	2.07	2.36	7.05	5.59	1.30	9.67	1.57	10	1200	6.19
8-H05-16	5/8	0.73	2.68	2.49	2.71	8.85	6.64	1.50	11.97	1.99	6	18100	13.23
8-H05-20	3/4	0.94	3.19	3.39	3.35	9.21	7.28	1.97	12.87	2.17	2	28300	15.98
8-H05-22	7/8	0.98	3.84	2.99	3.39	10.63	7.95	2.05	15.20	2.64	2	34200	28.22
8-H05-26	1	1.18	4.65	3.78	4.29	12.28	9.41	2.36	17.68	2.95	2	47700	48.06